

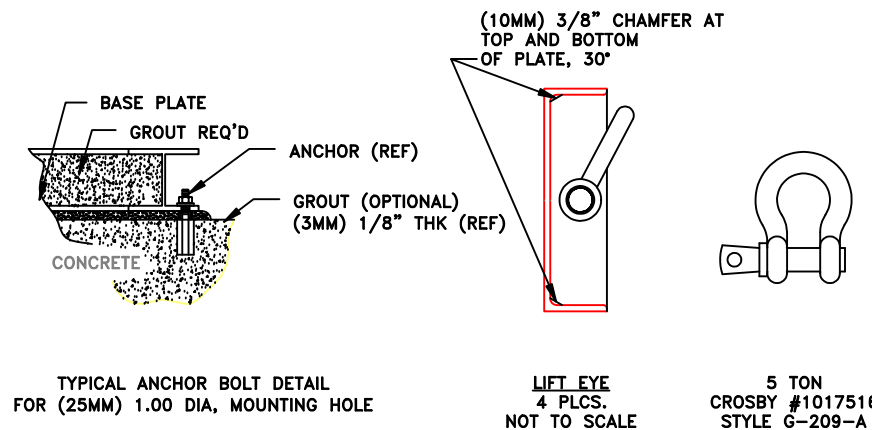
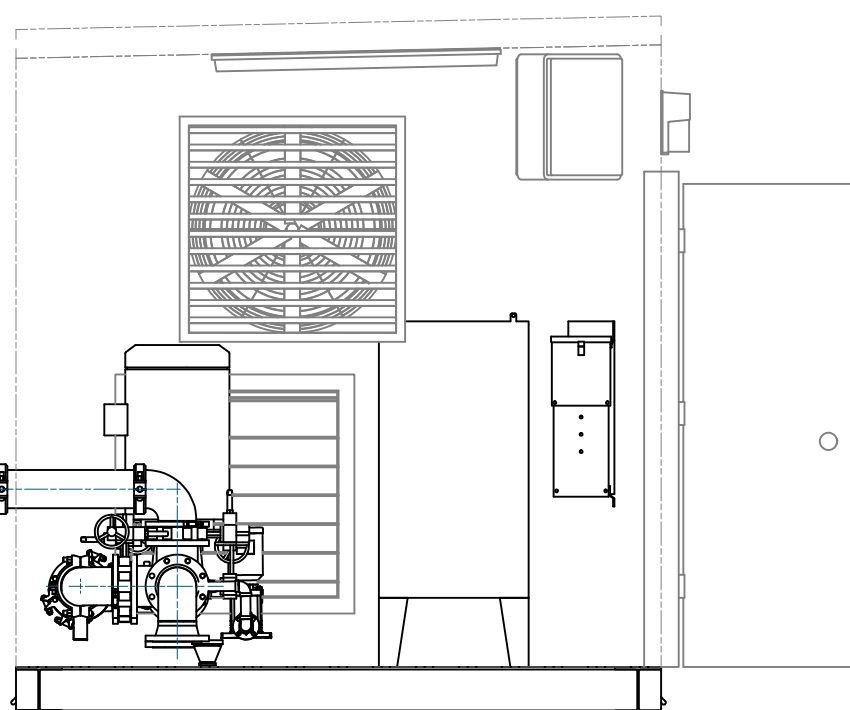
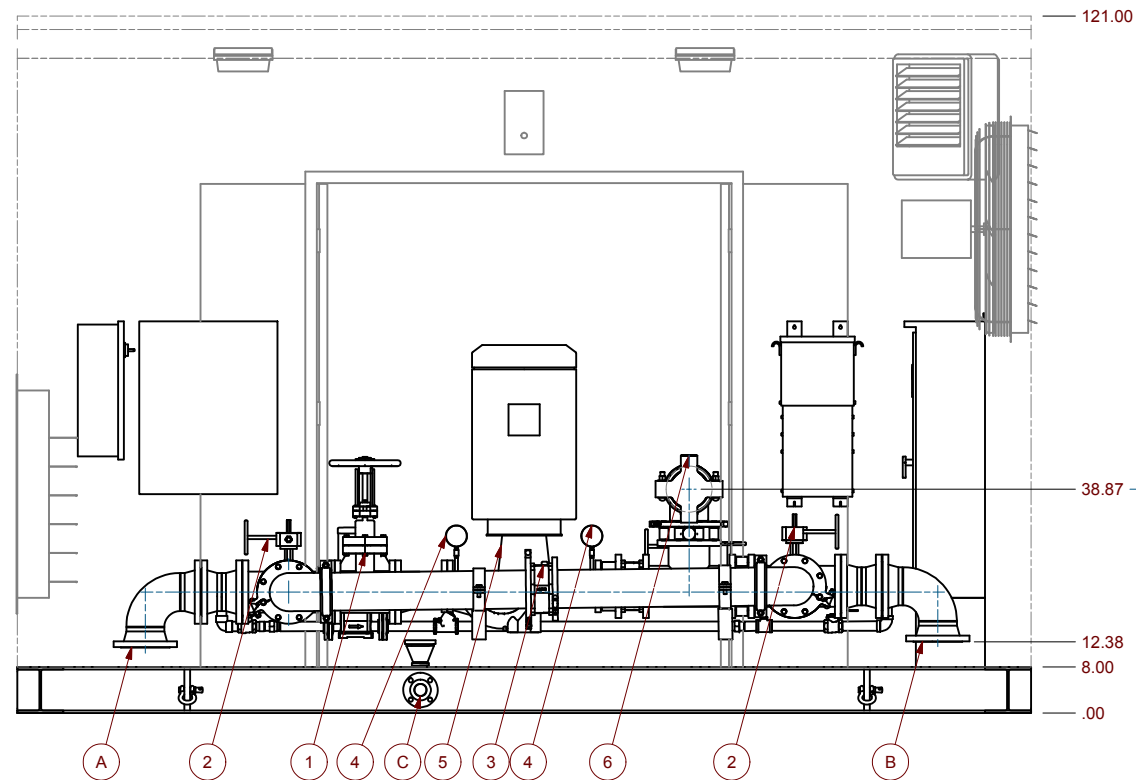
BOM			
SYM	DESCRIPTION	P/N	ITEM QTY
1	VALVE,GATE,OSY,NIBCO,FLG,UL/FM,250PSI,6"	23-002-525	1
2	VALVE,BUTTERFLY,LUG,NIBCO,LD3510-8,6	23-002-435	4
3	VALVE,CHECK,NIBCO,KW-900-W,6	23-002-225	2
4	STD FIRE GAUGE SET	808-400369	2
5	PUMP,A-C,F,4X4X7F,1580,3550,	100-210-039	1
6	HOSEHEADER,6X4,GROOVE,2.5	100-200-358	1
7	CNTRLR, FTA1000-AM20B-AM-CTS-X36-X83,20HP	100-300-175	1
8	LOAD,CENTER,PANELBOARD	GE	1
9	POWER,PAK,7.5-KVA	80-003-020	1
10	HEATER, W/ THERMOSTAT, 7.5KW	---	1
11	CNTRLR,JOCKEY,FIRE,FTA500N2	100-300-174	1

- NOTES:**
- CUSTOMER PIPING MUST BE SUPPORTED NEAR ALL INTERFACE CONNECTIONS TO ELIMINATE STRAIN.
 - ALL PIPING SUPPORTS ARE NOT SHOWN FOR CLARITY PURPOSES.
 - ALL POLYMERIC DRAIN LINE PIPING TO THIS LOCATION.
 - MINIMUM CLEARANCE TO ANY OBSTRUCTION REQUIRED BY THE NATIONAL ELECTRIC CODE.
 - SHIPPING DIMENSIONS: 176 L x 115 W x 121 H.
 - ESTIMATED SHIPPING WEIGHT: 7,600 LBS, ESTIMATED OPERATING WEIGHT: 8,000 LBS.
 - CONDUIT AND SMALL PIPING RUNS TO FOLLOW STRUCTURAL MEMBERS, WHERE POSSIBLE, TO AVOID CREATING TRIP HAZARDS.
 - TO ACHIEVE THE PROPER BUILDING FOUNDATION DESIGN, AN ENGINEER SHALL BE RETAINED WHO IS FAMILIAR WITH LOCAL BUILDING CODES, SOIL CONDITIONS, AND ANCHORING REQUIREMENTS.
 - BASE PLATE SETTING PRIOR TO PIPING: GROUTING PROCEDURES AND FINAL ALIGNMENT MUST BE IN ACCORDANCE WITH THE XYLEM A-C FIRE PUMP INSTRUCTION MANUAL.
 - INSTALL CHECK VALVE WITH HINGE PINS IN THE VERTICAL POSITION.
 - PRESSURE SENSING LINE DRAINS TO BE PIPED TO THE SKID DRAIN MANIFOLD.

- ITEMS TO SHIP LOOSE:**
- HOSE HEADER, (4) 2.5" VALVES AND PIPING.
 - PRESSURE GAUGES.
 - ANY TANK PIPING THAT EXCEEDS THE MAXIMUM SHIPPING HEIGHT.

- CUSTOMER INTERFACE CONNECTIONS:**
- SUCTION: FLANGED, 6", CLASS 150#.
 - DISCHARGE: FLANGED, 6", CLASS 150#.
 - DRAIN: 2", CLASS 150#.
 - LOAD CENTER: 460V/ 3PH/ 60HZ.

- PAINT SPECIFICATIONS:**
- PAINT PER XYLEM FLOWTRONEX SPEC FPP-002.



STATION PARAMETERS	
GPM: 500	VOLTAGE: 460
INTAKE PSI: 50	HZ: 60
DISCHARGE PSI: 90	PHASE: 3

 a xylem brand	10661 NEWKIRK STREET DALLAS, TX 75220 800.786.7480	DRN: M. HERNANDEZ CHK:	DATE: 8/7/2012 DATE:
	DRAWING #: CONFIGUPAC		DRAWING NAME: IN-LINE WITH BUILDING THRU FLOOR
SIZE B	REV 0	SHEET: 1/1	

THIS DRAWING AND THE INFORMATION DEPICTED THEREIN IS THE PROPERTY OF XYLEM. COPIES ARE ISSUED IN STRICT CONFIDENCE AND SHALL NOT BE REPRODUCED OR COPIED, OR USED AS THE BASIS FOR THE MANUFACTURE OR SALE OF PRODUCTS WITHOUT PRIOR WRITTEN PERMISSION OF XYLEM.