

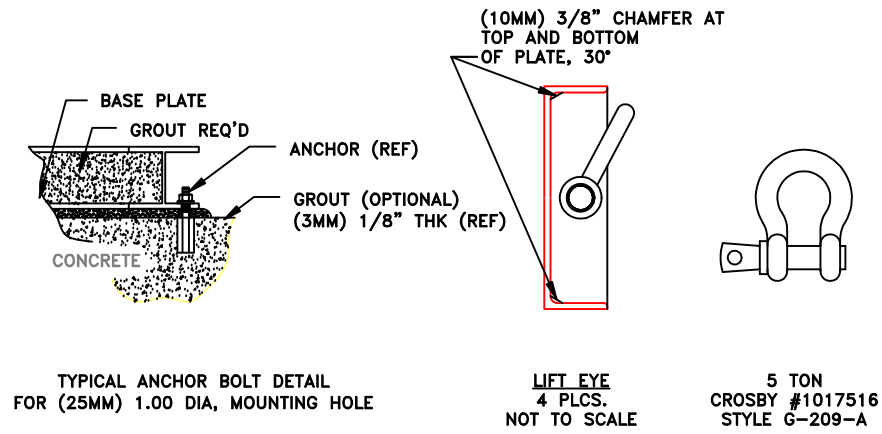
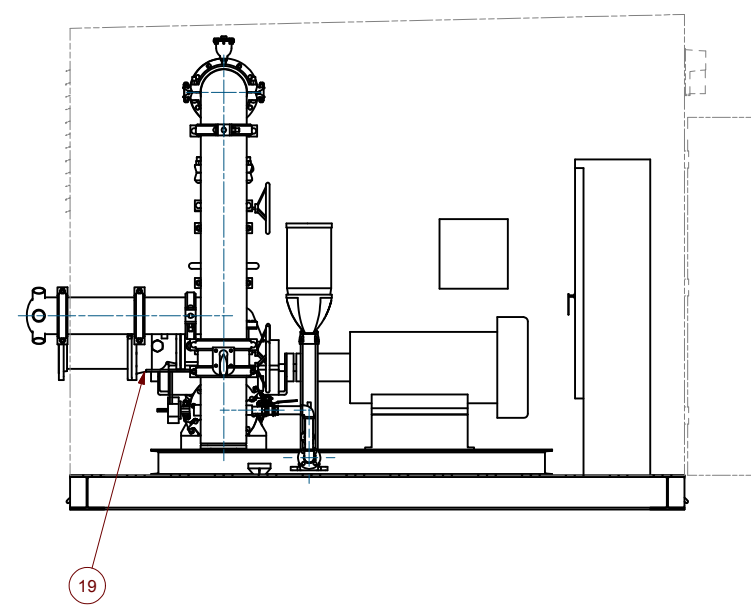
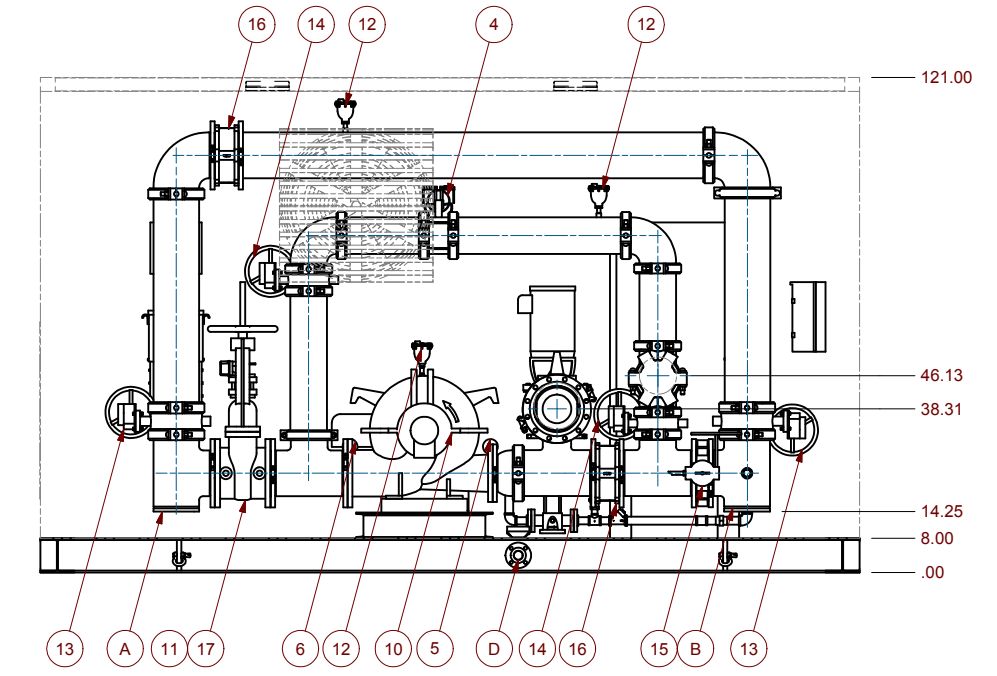
- NOTES:**
1. CUSTOMER PIPING MUST BE SUPPORTED NEAR ALL INTERFACE CONNECTIONS TO ELIMINATE STRAIN.
  2. ALL PIPING SUPPORTS ARE NOT SHOWN FOR CLARITY PURPOSES.
  3. ALL POLYMERIC DRAIN LINE PIPING TO THIS LOCATION.
  4. MINIMUM CLEARANCE TO ANY OBSTRUCTION REQUIRED BY THE NATIONAL ELECTRIC CODE.
  5. SHIPPING DIMENSIONS: 192 L x 147 W x 121 H.
  6. ESTIMATED SHIPPING WEIGHT: 14,800 LBS. ESTIMATED OPERATING WEIGHT: 16,000 LBS.
  7. CONDUIT AND SMALL PIPING RUNS TO FOLLOW STRUCTURAL MEMBERS, WHERE POSSIBLE, TO AVOID CREATING TRIP HAZARDS.
  8. TO ACHIEVE THE PROPER BUILDING FOUNDATION DESIGN, AN ENGINEER SHALL BE RETAINED WHO IS FAMILIAR WITH LOCAL BUILDING CODES, SOIL CONDITIONS, AND ANCHORING REQUIREMENTS.
  9. BASE PLATE SETTING PRIOR TO PIPING: GROUTING PROCEDURES AND FINAL ALIGNMENT MUST BE IN ACCORDANCE WITH THE XYLEM A-C FIRE PUMP INSTRUCTION MANUAL.
  10. INSTALL CHECK VALVE WITH HINGE PINS IN THE VERTICAL POSITION.
  11. PRESSURE SENSING LINE DRAINS TO BE PIPED TO THE SKID DRAIN MANIFOLD.

BOM			
SYM	DESCRIPTION	P/N	ITEM QTY
1	LOAD, CENTER, PANELBOARD	GE	1
2	CNTRLR, JOCKEY, EATON, FDJPN2	---	1
3	CNTRLR, MOTOR, EATON, FD30, HP5-300	---	1
4	FLOWMETER, GROOVED, GERAND K-2000-8	100-200-314	1
5	GAUGE, 3.5, SS., 25.0-300 DUAL DISP	88-001-279	1
6	GAUGE, 3.5, SS., 0.25, LM, 30-0-30, 100-200KPA	88-001-275	1
7	HOSEHEADER, 8X6, GROOVE, 2.5	100-200-360	1
8	POWER, PAK, 10-KVA	80-003-030	1
9	PUMP, GOULDS, eSV, 1-5SV_G	---	1
10	PUMP, 8100, CL150, 10x8x17F, CW	---	1
11	SWITCH, TAMPER, SYSTEM SENSOR OSY2	23-003-050	1
12	VALVE, AIR RELEASE, 175PSI, 15A., 5	16-003-005	3
13	VALVE, BFLY, ANVIL, GEAR, W/TAMPER, UL/ULC, 10	20-005-367	2
14	VALVE, BFLY, ANVIL, GEAR, W/TAMPER, UL/ULC, 8	20-005-386	2
15	VALVE, BUTTERFLY, LUG, NIBCO, LD3510-8, 10	23-002-445	1
16	VALVE, CHECK, NIBCO, KW-900-W, 10	23-002-235	2
17	VALVE, GATE, OSY, NIBCO, F-607-RW, 10	23-002-535	1
18	VALVE, CLA-VAL, 2050B-4KG1, CL150, 6	100-200-458	1
19	WASTE CONE, C.S., 6X10, CL150, CLOSED	100-200-412	1

- ITEMS TO SHIP LOOSE:**
- HOSE HEADER, (6) 2.5" VALVES AND PIPING.
  - METERING AND PRESSURE GAUGES.
  - ANY TANK PIPING THAT EXCEEDS THE MAXIMUM SHIPPING DIMENSIONS.

- CUSTOMER INTERFACE CONNECTIONS:**
- A. SUCTION: GROOVED 10".
  - B. DISCHARGE: GROOVED 10".
  - C. RELIEF VALVE DISCHARGE: FLANGED, 10", CLASS 150#.
  - D. DRAIN: 2" CLASS 150#.
  - E. LOAD CENTER: 460V/3PH/60HZ.

- PAINT SPECIFICATIONS:**
- PAINT PER XYLEM FLOWTRONEX SPEC. FPP-002.



STATION PARAMETERS	
GPM: 2000	VOLTAGE: 460
DISCHARGE: 125	HZ: 60
INTAKE PSI: 15	PHASE: 3

10661 NEWKIRK STREET  
DALLAS, TX 75220  
800.786.7480

DRN: M. HERNANDEZ  
CHK: \_\_\_\_\_  
DATE: 8/8/2012

DRAWING #: 2000 GPM ELECTRIC  
DRAWING NAME: THRU FLOOR WITH BUILDING

SIZE B REV 0 SHEET: 1/1

THIS DRAWING AND THE INFORMATION DEPICTED THEREIN IS THE PROPERTY OF XYLEM. COPIES ARE ISSUED IN STRICT CONFIDENCE AND SHALL NOT BE REPRODUCED OR COPIED, OR USED AS THE BASIS FOR THE MANUFACTURE OR SALE OF PRODUCTS WITHOUT PRIOR WRITTEN PERMISSION OF XYLEM.