

NOTES:

1. CUSTOMER PIPING MUST BE SUPPORTED NEAR ALL INTERFACE CONNECTIONS TO ELIMINATE STRAIN.
2. ALL PIPING SUPPORTS ARE NOT SHOWN FOR CLARITY PURPOSES.
3. ALL POLYMERIC DRAIN LINE PIPING TO THIS LOCATION.
4. MINIMUM CLEARANCE TO ANY OBSTRUCTION REQUIRED BY THE NATIONAL ELECTRIC CODE.
5. SHIPPING DIMENSIONS: 176L x 128W x 121H.
6. ESTIMATED SHIPPING WEIGHT: 12,000 LBS, ESTIMATED OPERATING WEIGHT: 13,600 LBS.
7. CONDUIT AND SMALL PIPING RUNS TO FOLLOW STRUCTURAL MEMBERS, WHERE POSSIBLE, TO AVOID CREATING TRIP HAZARDS.
8. TO ACHIEVE THE PROPER BUILDING FOUNDATION DESIGN, AN ENGINEER SHALL BE RETAINED WHO IS FAMILIAR WITH LOCAL BUILDING CODES, SOIL CONDITIONS, AND ANCHORING REQUIREMENTS.
9. BASE PLATE SETTING PRIOR TO PIPING: GROUTING PROCEDURES AND FINAL ALIGNMENT MUST BE IN ACCORDANCE WITH THE XYLEM A-C FIRE PUMP INSTRUCTION MANUAL.
10. INSTALL CHECK VALVE WITH HINGE PINS IN THE VERTICAL POSITION.
11. PRESSURE SENSING LINE DRAINS TO BE PIPED TO THE SKID DRAIN MANIFOLD.

ITEMS TO SHIP LOOSE:

- CLARKE RESIDENTIAL MUFFLER, 4", CLASS 150#.
- HOSE HEADER, (6) 2.5" VALVES AND PIPING.
- METERING AND PRESSURE GAUGES.
- ANY TANK PIPING THAT EXCEEDS THE MAXIMUM SHIPPING HEIGHT.

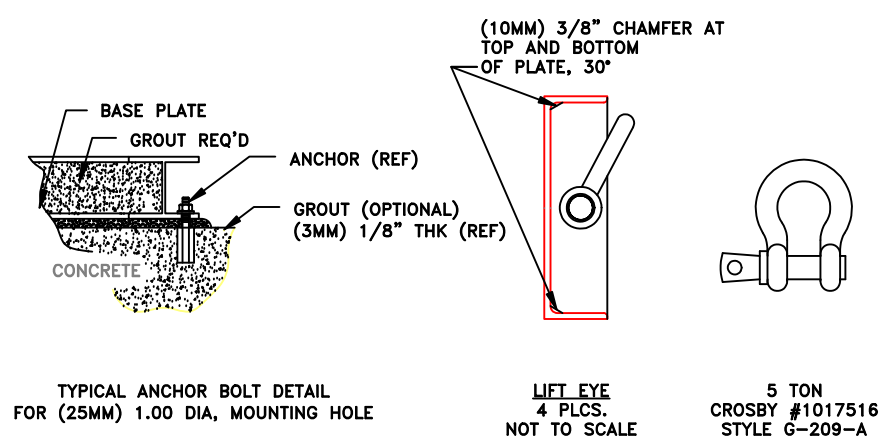
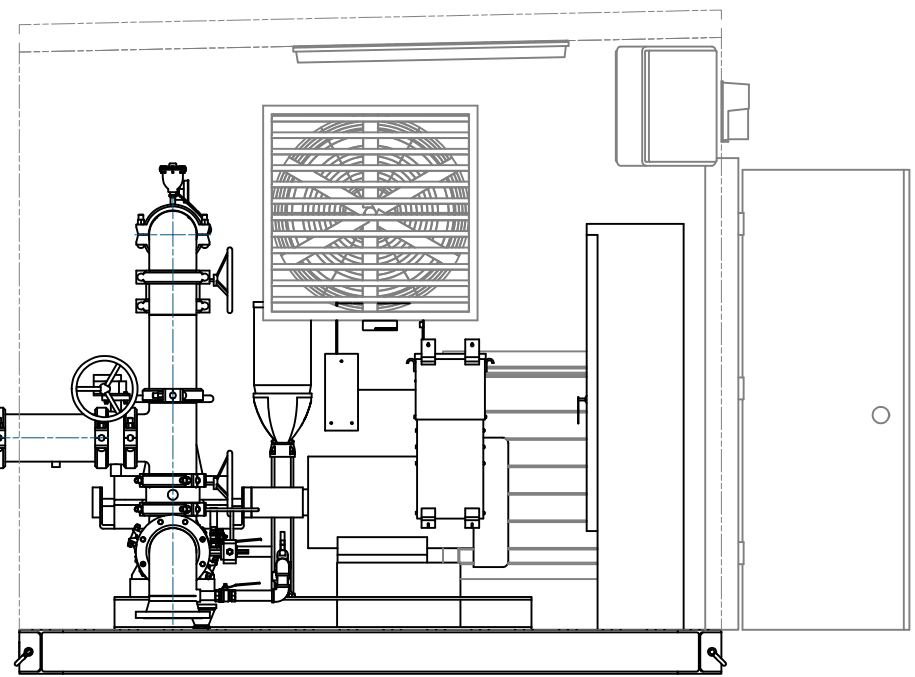
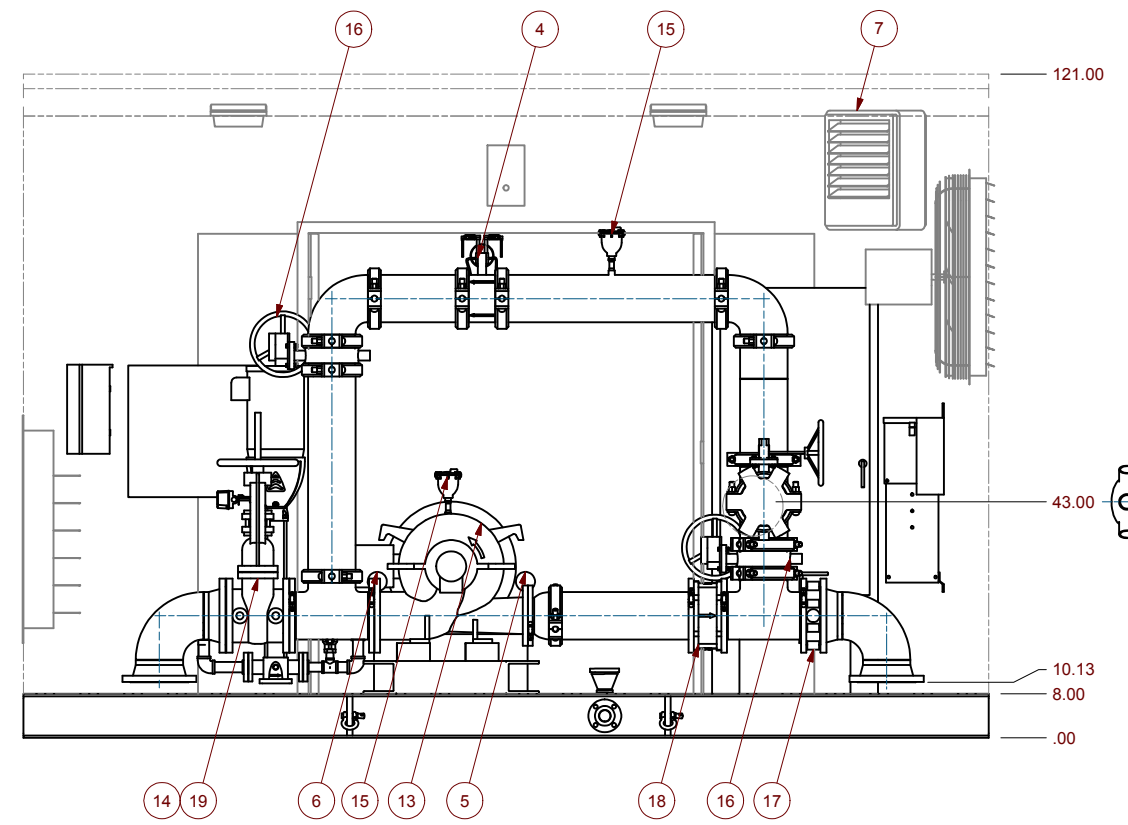
CUSTOMER INTERFACE CONNECTIONS:

- A. SUCTION: FLANGED, 8", CLASS 150#.
- B. DISCHARGE: FLANGED, 8", CLASS 150#.
- C. DRAIN: 2", CLASS 150#.
- D. SINGLE POWER POINT CONNECTION: 460V/3PH/60HZ.

PAINT SPECIFICATIONS:

- PAINT PER XYLEM FLOWTRONEX SPEC FPP-002.

BOM			
SYM	DESCRIPTION	P/N	ITEM QTY
1	CNTRLR, JOCKEY, EATON, FDJPN2	---	1
2	CNTRLR, MOTOR, EATON, FD30	---	1
3	EXHAUST FAN, 36"	---	1
4	FLOWMETER, GROOVED, GVI 8-1500-G	100-200-626	1
5	GAUGE, 3.5, SS, .25, 0-300 DUAL DISP	88-001-279	1
6	GAUGE, 3.5, SS, 0.25, LM, 30-0-30, 100-200KPA	88-001-275	1
7	HEATER, W/ THERMOSTAT	---	1
8	HOSEHEADER, 8X6, GROOVE, 2.5	100-200-360	1
9	LOAD CENTER	---	1
10	MOTOR, FRAME, NEMA, HORIZ, 444TS	---	1
11	POWER, PAK, 10-KVA	80-003-030	1
12	PUMP, GOULDS, eSV, 1-5SV_G	---	1
13	PUMP, 8100, CL150, 8x6x12F, M, CW	100-210-032	1
14	SWITCH, TAMPER, SYSTEM SENSOR OSY2	23-003-050	1
15	VALVE, AIR RELEASE, 175PSI, 15A, .5	16-003-005	2
16	VALVE, BFLY, ANVIL, GEAR, W/TAMPER, UL/ULC, 8	20-005-386	3
17	VALVE, BUTTERFLY, LUG, NIBCO, LD3510-8, 8	23-002-440	1
18	VALVE, CHECK, NIBCO, KW-90-W, 8	23-002-230	1
19	VALVE, GATE, OSY, NIBCO, F-607-RW, 8	23-002-530	1
20	VENTILATION LOUVER, 36"	---	1



PARAMETERS STATION	
GPM: 1500	VOLTS: 460
INTAKE PSI: 5	HZ: 60
DISCHARGE PSI: 140	PHASE: 3

10661 NEWKIRK STREET
DALLAS, TX 75220
800.786.7480

DRN: M. HERNANDEZ
CHK: _____
DATE: 8/3/2012

THIS DRAWING AND THE INFORMATION DEPICTED THEREIN IS THE PROPERTY OF XYLEM. COPIES ARE ISSUED IN STRICT CONFIDENCE AND SHALL NOT BE REPRODUCED OR COPIED, OR USED AS THE BASIS FOR THE MANUFACTURE OR SALE OF PRODUCTS WITHOUT PRIOR WRITTEN PERMISSION OF XYLEM.

DRAWING #: 1500 GPM WITH BUILDING
DRAWING NAME: 1500 GPM WITH BUILDING THRU FLOOR

SIZE: B REV: 0 SHEET: 1/1